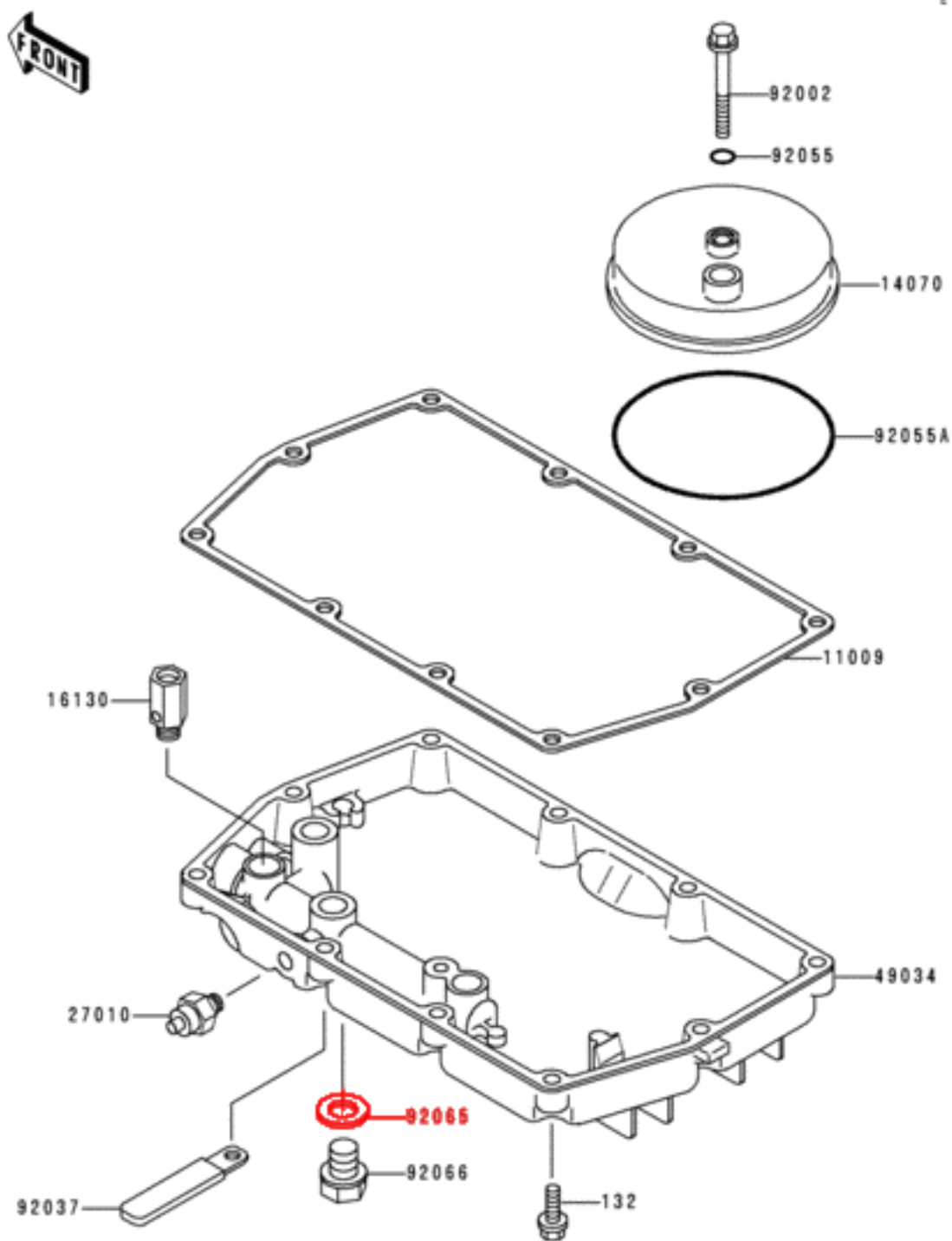




Uszczelka miedziana śruby spustu oleju

Nr katalogowy Kawasaki: 92065-097



Kawasaki KLE 500

### Zastosowanie Kawasaki:

- KLX650  
KLX650 Motard  
KLX650  
KLX650R

- BJ250  
250TR  
Estrella  
Estrella Custom  
Estrella Custom Limited Edition  
Estrella RS  
Estrella RS Limited Edition
- BN125  
Eliminator
- EJ400  
W400
- EJ650  
W650
- EJ800  
W800
- EL250  
Eliminator 250  
Eliminator 250LX  
Eliminator 250SE  
Eliminator 252
- EN400  
Bulcan 400  
EN400 Twin  
Vulcan 400
- EN450  
Vulcan 454LTD
- EN500  
Vulcan 500  
Vulcan 500 LTD
- ER250  
Z250  
Z250 Scorpion  
Z250 ABS
- ER500  
ER-5
- ER650  
ER-6N  
ER-6N ABS  
Z650 ABS  
Z650
- EX250  
Ninja 250  
GPX250R-II  
Ninja 250R  
ZZR250  
GPX250R
- EX300  
Ninja 300  
Ninja 300 SE  
Ninja 300 ABS SE  
Ninja 300 ABS  
Ninja 300 ABS KRT Edition  
Ninja 300 ABS Winter Test Edition
- EX305  
GPZ305 Belt drive

- EX400  
EX-4  
GPZ400S  
Ninja 400R  
Ninja 400R ABS
- EX500  
EX500  
Ninja 500  
Ninja 500R  
GPZ500S  
GPZ500
- EX650  
Ninja 650  
ER-6F  
Ninja 650 ABS  
Ninja 650 ABS KRT Edition  
Ninja 650 SE  
ER-6F ABS
- KL250  
KL250 Super Sherpa  
KLR250  
KL250R
- KL600  
KLR600
- KL650  
KLR650  
KL650 Tengal  
KLR650 New Edition  
KLR650 Camo
- KLE250  
Anhelo  
Versys-X 250 ABS
- KLE400
- [KLE500](#)
- KLE650  
Versys 650  
Versys 650 ABS  
Versys 650 LT Supplement
- KLX250  
KLX250  
KLX250R  
KLX250S  
KLX250SF  
D-Tracker  
D-Tracker X  
KLX250ES  
KLX250SR
- KLZ1000  
Versys 1000  
Versys 1000 LT  
Versys 1000 LT Supplement
- KZ1000  
Z1 Classic  
CSR  
Eddie

- KZ1000
- LTD
- Police
- Shaft
- Z1-R
- KZ1100
- GPZ
- LTD
- KZ1100
- Spectre
- KZ200
- KZ250
- CSR
- LTD
- KZ400
- KZ440
- KZ550
- KZ650
- KZ700
- KZ750
- VN1500
- Vulcan 1500
- Vulcan 1500 Classic
- VN1500 Classic
- Vulcan 1500 Classic Fi
- Vulcan 1500 Drifter
- Vulcan 1500L
- Vulcan 1500 Mean Streak
- Vulcan 1500 Nomad
- Vulcan 1500 Nomad Fi
- Vulcan 88
- Vulcan 88 SE
- Vulcan 1500 Classic Tourer Fi
- Vulcan 1500 Classic Tourer
- VN-15
- VN-15 SE
- VN1500 Classic Fi
- VN1500 Classic Tourer
- VN1500 Classic Tourer Fi
- VN1500 Drifter
- VN1500 Mean Streak
- VN1600
- Vulcan 1600 Classic
- Vulcan 1600 Mean Streak
- Vulcan 1600 Nomad
- VN1600 Classic
- VN1600 Classic Tourer
- VN1600 Mean Streak
- VN1700
- Vulcan 1700 Classic
- Vulcan 1700 Classic LT
- Vulcan 1700 Nomad
- Vulcan 1700 Voyager
- Vulcan 1700 Voyager ABS
- VN1700 Classic

- VN1700 Classic ABS
- VN1700 Classic Tourer
- VN1700 Classic Tourer ABS
- Vulcan 1700 Nomad ABS
- Vulcan 1700 Vaquero
- Vulcan 1700 Voyager Custom ABS
- Vulcan 1700 Voyager Custom SE ABS
- VN1700 Voyager ABS
- Vulcan 1700 Vaquero ABS
- VN2000
  - Vulcan 2000
  - Vulcan 2000 Classic
  - Vulcan 2000 Classic LT
  - Vulcan 2000 Limited
- VN2000
  - VN2000 Classic
- VN250
  - Eliminator 250V
- VN400
  - Vulcan Classic
  - Vulcan Drifter
  - Vulcan II
  - Vulcan
- VN750
  - Vulcan 750
  - VN750 Twin
- VN800
  - Vulcan 800 Drifter
  - Vulcan 800
  - Vulcan 800 Classic
- VN900
  - Vulcan 900 Classic
  - Vulcan 900 Classic LT
  - Vulcan 900 Custom
- VN900 Classic
- VN900 Custom
- Z250
  - Z250LTD belt drive
- Z305
  - CSR
- Z550
  - GT550
- Z750
  - GT750
- ZG1000
  - Concours
  - 1000GTR
- ZG1200
  - Voyager
  - Voyager XII
- ZG1400
  - Concours 14
  - Concours 14 ABS
  - 1400GTR ABS
- ZL1000

- Eliminator
- ZL400  
Eliminator 400  
Eliminator 400LX  
Eliminator 400SE
- ZL600  
Eliminator
- ZR1000  
Z1000  
Z1000 ABS
- ZR1100  
Zephyr 1100  
ZRX1100  
Zephyr 1100RS  
ZRX1100-II
- ZR1200  
ZRX1200R  
ZRX1200 DAEG  
ZRX1200S  
ZRX1200
- ZR250  
Balius  
Balius-II
- ZR400  
Xanthus  
Zephyr  
Zephyr X  
ZRX  
ZRX-II
- ZR550  
Zephyr
- ZR750  
Z750  
Z750S  
Zephyr  
ZR-7  
ZR-7S  
Z750 ABS  
Z750R  
Z750R ABS
- ZR900  
Z900  
Z900 ABS
- ZX1000  
GPZ1000RX  
ZX-10  
Ninja ZX-10R  
Ninja 1000  
Ninja 1000 ABS  
Ninja ZX-10R ABS  
Z1000SX  
Z1000SX ABS  
Ninja ZX-10R ABS 30th Anniversary Edition  
Ninja ZX-10R 30th Anniversary Edition  
Ninja H2

- Ninja ZX-10R ABS KRT Edition
- Ninja ZX-10R ABS Winter Test Edition
- Ninja H2 Carbon
- Ninja ZX-10RR
- Ninja H2R
- Ninja ZX-10R KRT Edition
- ZX1100
  - GPZ1100
  - GPZ1100 ABS
  - Ninja ZX-11
  - ZZ-R1100
- ZX1200
  - Ninja ZX-12R
  - ZZR1200
- ZX1400
  - Ninja ZX-14
  - Ninja ZX-14R
  - Ninja ZX-14R ABS
  - ZZR1400
  - ZZR1400 ABS
  - Ninja ZX-14R ABS 30TH
  - Ninja ZX-14R ABS SE
- ZX250
  - ZXR250
  - ZXR250R
- ZX400
  - FX400R
  - GPZ400R
  - ZX-4
  - ZXR400
  - ZXR400R
  - ZZR400
  - Z400FII
- ZX500
  - GPX500R
  - ZZ-R500
- ZX550
  - GPZ550
- ZX600
  - Ninja 600
  - Ninja 600R
  - GPX600R
  - Ninja 600RX
  - Ninja ZX-6
  - Ninja ZX-6R
  - Ninja ZX-6RR
  - ZZ-R600
  - GPZ600R
- ZX636
  - Ninja ZX-6R
  - Ninja ZX-6R ABS
  - Ninja ZX-6R ABS 30th Anniversary Edition
  - Ninja ZX-6R ABS KRT Edition
  - Ninja ZX-6R 30th Anniversary Edition
  - Ninja ZX-6R KRT Edition



- ZX750  
GPZ750  
GPZ750 Turbo  
Ninja 750R  
Ninja ZX-7  
Ninja ZX-7R  
Ninja ZX-7RR  
GPX750R  
ZXR750  
ZXR750R
- ZX900  
Ninja 900  
Ninja ZX-9R  
GPZ900R

ID: 1020